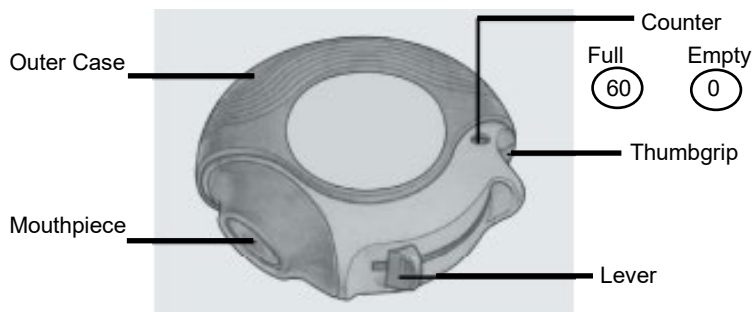


**Package leaflet: Information for the user**  
**Serevent® 50 microgram Accuhaler®**  
(salmeterol xinafoate)



**Read all of this leaflet carefully before you start taking this medicine because it contains important information for you.**

- Keep this leaflet. You may need to read it again.
- If you have any further questions, ask your doctor or pharmacist.
- This medicine has been prescribed for you only. Do not pass it on to others. It may harm them, even if their signs of illness are the same as yours.
- If you get any side effects, talk to your doctor or pharmacist. This includes any possible side effects not listed in this leaflet. See section 4.

The name of your medicine is Serevent 50 microgram Accuhaler but will be referred to as Serevent Accuhaler throughout the remainder of this leaflet.

**In this leaflet:**

- 1 What Serevent Accuhaler is and what it is used for
- 2 What you need to know before you use Serevent Accuhaler
- 3 How to use Serevent Accuhaler
- 4 Possible side effects
- 5 How to store Serevent Accuhaler
- 6 Contents of the pack and other information

**1 What Serevent Accuhaler is and what it is used for**

- Serevent Accuhaler contains the medicine salmeterol. It is a 'long-acting bronchodilator'. It helps the airways in the lungs to stay open. This makes it easier for air to get in and out. The effects are usually felt within 10 to 20 minutes and last for 12 hours or more.
- The doctor has prescribed it to help prevent breathing problems. These could be caused by asthma. Taking Serevent Accuhaler regularly will help prevent asthma attacks. This also includes asthma brought on by exercise or at night.
- Taking Serevent Accuhaler regularly will also help prevent breathing problems caused by other chest illnesses such as Chronic Obstructive Pulmonary Disease (COPD).
- Serevent Accuhaler helps to stop breathlessness and wheezing coming on. It does not work once you are breathless or wheezy. If that happens, you need to use a fast-acting 'reliever' medicine, such as salbutamol.
- Serevent is supplied to you in an inhaler called the Accuhaler. You breathe the medicine directly into your lungs.

**If you are being treated for asthma, you should always be given both a Serevent Accuhaler and a steroid inhaler to use together.**

**2 What you need to know before you use Serevent Accuhaler**  
**Do not take Serevent Accuhaler if:**

you are allergic (hypersensitive) to salmeterol xinafoate, or to the other ingredient lactose.

**Take special care with Serevent Accuhaler**

- **If you are using Serevent Accuhaler for asthma your doctor will want to regularly check your symptoms.**
- **If your asthma or breathing gets worse tell your doctor straight away.** You may find that you feel more wheezy, your chest feels tight more often or you may need to use more of your fast-acting 'reliever' medicine. If any of these happen, do not increase your number of puffs of Serevent Accuhaler. Your chest condition may be getting worse and you could become seriously ill. See your doctor as you may need a change in asthma treatment.
- Once your asthma is well controlled your doctor may consider it appropriate to gradually reduce the dose of Serevent Accuhaler.
- If you have been prescribed Serevent Accuhaler for your asthma, continue to use any other asthma medication you are already taking. These could include a steroid inhaler or steroid tablets. Continue taking the same doses as before, unless your doctor tells you otherwise. Do this even if you feel much better. **Do not stop taking your steroid inhaler (or any steroid tablets) when you start using Serevent Accuhaler.**
- Your doctor may want to check your health regularly if you have an overactive thyroid gland, diabetes mellitus (Serevent Accuhaler may increase your blood sugar) or heart disease, including irregular or fast heartbeat.

**Other medicines and Serevent Accuhaler**

- Tell your doctor if you are taking or have recently taken any other medicines. This includes those for asthma or any other medicines obtained without a prescription. This is because Serevent Accuhaler may not be suitable to be taken with other medicines.

- Inform your doctor before using Serevent Accuhaler if you are currently being treated for any fungal infections with medicines containing ketoconazole or itraconazole, or if you are being treated for HIV with ritonavir. These medicines may increase the risk of you experiencing side effects with Serevent Accuhaler, including irregular heart beats, or may make side-effects worse.
- Beta-blockers should be avoided when taking Serevent Accuhaler, unless your doctor tells you to take them. Beta-blockers, including atenolol, propranolol and sotalol, are mostly used for high blood pressure or other heart conditions. Tell your doctor if you are taking beta-blockers or have recently been prescribed beta-blockers as they may reduce or abolish the effects of salmeterol.
- Serevent Accuhaler can reduce the amount of potassium in your blood. If this happens you may notice an uneven heartbeat, muscle weakness or cramp. This is more likely to happen if you take Serevent Accuhaler with some medicines used to treat high blood pressure (diuretics – water tablets) and other medicines used to treat breathing problems such as theophylline or steroids. Your doctor may ask for you to have blood tests to check the amount of potassium in your blood. If you have any concerns discuss them with your doctor.

**Pregnancy and breast-feeding**

If you are pregnant or breast-feeding, think you may be pregnant or are planning to have a baby, ask your doctor or pharmacist for advice before taking this medicine.

**Driving and using machines**

The possible side effects associated with Serevent Accuhaler are unlikely to affect your ability to drive or use machines.

**3 How to use Serevent Accuhaler**

Always use this medicine exactly as your doctor or pharmacist has told you. Check with your doctor or pharmacist if you are not sure.

- **If you are being treated for asthma, you should always be given both a Serevent Accuhaler and a steroid inhaler to use together.**
- Use Serevent Accuhaler every day, until your doctor advises you to stop.
- You will start to feel your medicine working within the first day of use.

Serevent Accuhaler is for inhalation by mouth only.

**Adults and adolescents aged 12 years and older with Asthma**

- The usual starting dose is 1 puff twice a day.
- For people with more severe asthma, your doctor may increase your dose to 2 puffs twice a day.

**Children with Asthma**

- In children aged 4 to 12 the usual dose is 1 puff twice a day.
- Serevent Accuhaler is not recommended for use in children below 4 years of age.

**Adults with Chronic Obstructive Pulmonary Disease (COPD) including bronchitis and emphysema**

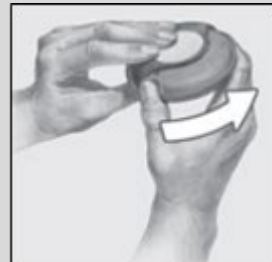
- The usual starting dose is 1 puff twice a day.
- Not applicable for children and adolescents.

**Instructions for use**

- Your doctor, nurse or pharmacist should show you how to use your inhaler. They should check how you use it from time to time. Not using the Serevent Accuhaler properly or as prescribed may mean that it will not help your asthma or COPD as it should.
- The Serevent Accuhaler device holds blisters containing Serevent as a powder.
- There is a counter on top of the Serevent Accuhaler which tells you how many doses are left. It counts down to 0. The numbers 5 to 0 will appear in red to warn you when there are only a few doses left. Once the counter shows 0, your inhaler is empty.

**Using your inhaler**

- 1 To open your Serevent Accuhaler, hold the outer case in one hand and put the thumb of your other hand on the thumbgrip. Push your thumb away from you as far as it will go. You will hear a click. This will open a small hole in the mouthpiece.
- 2 Hold your Serevent Accuhaler with the mouthpiece towards you. You can hold it in either your right or left hand. Slide the lever away from you as far as it will go. You will hear a click. This places a dose of your medicine in the mouthpiece.



Every time the lever is pushed back a blister is opened inside and the powder made ready for you to inhale. Do not play with the lever as this opens the blisters and wastes medicine.

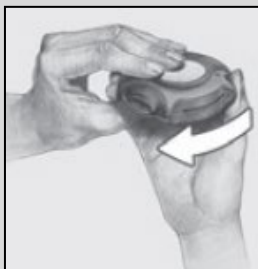
3 Hold the Serevent Accuhaler away from your mouth, breathe out as far as is comfortable. Do not breathe into your Serevent Accuhaler.

4 Put the mouthpiece to your lips; breathe in steadily and deeply through the Serevent Accuhaler, not through your nose. Remove the Serevent Accuhaler from your mouth. Hold your breath for about 10 seconds or for as long as is comfortable. Breathe out slowly. You may not be able to taste or feel the powder on your tongue, even if you have used the Serevent Accuhaler correctly.



5 Afterwards rinse your mouth with water and spit it out. This may help to stop you getting thrush and being hoarse.

6 To close the Serevent Accuhaler, slide the thumbgrip back towards you, as far as it will go. You will hear a click. The lever will return to its original position and is reset.



Your Serevent Accuhaler is now ready for you to use again. Check with your doctor or pharmacist if you are not sure if you used your Serevent Accuhaler correctly.

#### Cleaning your inhaler

Wipe the mouthpiece of the Serevent Accuhaler with a dry tissue to clean it.

#### If you use more Serevent Accuhaler than you should

It is important to use the inhaler as instructed. If you accidentally take a larger dose than recommended, talk to your doctor or pharmacist. You may notice your heart beating faster than usual and that you feel shaky and/or dizzy. You may also have a headache, muscle weakness and aching joints.

#### If you forget to use Serevent Accuhaler

Do not take a double dose to make up for a missed dose. Just take your next dose at the usual time.

If you have any further questions on the use of this medicine, ask your doctor or pharmacist.

#### 4 Possible side effects

Like all medicines, this medicine can cause side effects, although not everybody gets them. To reduce the chances of side effects, your doctor will prescribe the lowest dose of Serevent Accuhaler to control your asthma or COPD. These are the side effects reported by people taking Serevent Accuhaler.

**Allergic reactions: you may notice your breathing suddenly gets worse after using Serevent Accuhaler.** You may be very wheezy and cough. You may also notice itching and swelling (usually of the face, lips, tongue or throat). If you get these effects or they happen suddenly after using Serevent Accuhaler, **tell your doctor straight away**. Allergic reactions to Serevent Accuhaler are very rare (they affect less than 1 person in 10,000). Other side effects are listed below:

##### Common (affects less than 1 person in 10):

- Muscle cramps
- Feeling shaky; fast or uneven heartbeat (palpitations), headache, shaking hands (tremor). Tremors are more likely if you are taking more than one puff twice daily. These side effects do not last long and happen less as treatment with Serevent Accuhaler continues

##### Uncommon (affects less than 1 person in 100):

- Rash
- Very fast heart rate (tachycardia). This is more likely to happen if you are taking more than one puff twice daily
- Feeling nervous

##### Rare (affects less than 1 person in 1,000):

- Feeling dizzy
- Being unable to sleep or finding sleep difficult
- A reduction in the amount of potassium in your blood (you may get an uneven heartbeat, muscle weakness, cramp)

##### Very rare (affects less than 1 person in 10,000):

- **Breathing difficulties or wheezing that gets worse straight after taking Serevent Accuhaler.** If this happens, **stop using Serevent Accuhaler**. Use your fast-acting 'reliever' inhaler to help your breathing and **tell your doctor straight away**
- Uneven heartbeat or your heart gives an extra beat (arrhythmias). If this happens do not stop using Serevent Accuhaler but tell your doctor
- Increases in the amount of sugar (glucose) in your blood (hyperglycaemia). If you have diabetes, more frequent blood sugar monitoring and possibly adjustment of your usual diabetic treatment may be required

- Sore mouth or throat
- Feeling sick (nausea)
- Aching, swollen joints, or chest pain

#### Reporting of side effects

If you get any side effects, talk to your doctor, pharmacist or nurse. This includes any possible side effects not listed in this leaflet. You can also report side effects directly via the Yellow Card Scheme at: [www.mhra.gov.uk/yellowcard](http://www.mhra.gov.uk/yellowcard) or search for MHRA Yellow Card in the **Google Play** or **Apple App Store**. By reporting side effects, you can help provide more information on the safety of this medicine.

#### 5 How to store Serevent Accuhaler

- **Keep out of the sight and reach of children.**
- Do not use this medicine after the expiry date which is stated on the label and carton after EXP. The expiry date refers to the last day of that month.
- Do not store above 30°C. Store in the original package to protect from moisture.
- If your medicine shows any signs of deterioration or discolouration, consult your doctor or pharmacist for advice. If damaged, please tell your doctor or pharmacist.
- Do not throw away any medicines via wastewater or household waste. Ask your pharmacist how to throw away medicines you no longer use. These measures will help protect the environment.

#### 6 Contents of the pack and other information

##### What Serevent Accuhaler contains

- The active substance is salmeterol xinafoate. Each blister contains 50 micrograms salmeterol (as xinafoate).
- The other ingredient is lactose monohydrate (which contains milk proteins).

##### What Serevent Accuhaler looks like and contents of the pack

- Two-tone green, moulded plastic circular device, with a mouthpiece, lever and blister counter. Device holds a blister strip with each pocket containing inhalation powder. The Serevent Accuhaler contains a foil strip. The foil protects the powder for inhalation from the effects of the atmosphere.
- Each dose is pre-dispensed.
- The devices are packed in cartons which hold one Accuhaler containing 60 actuations.

Manufactured by: Glaxo Wellcome Production, Zone Industrielle No 2, 23 Rue Lavoisier, 27000 Evreux, France. Procured from within the EU. Product Licence Holder: Quadrant Pharmaceuticals Limited, Lynstock House, Lynstock Way, Lostock, Bolton, BL6 4SA. Repackaged by: Maxeart Limited, Unit 29, Oakhill Trading Estate, Devonshire Road, Worsley, Manchester, M28 3PT.

PL 20774/2603 Serevent 50 microgram Accuhaler

POM

Serevent and Accuhaler are registered trademarks.

Leaflet revision date 22<sup>nd</sup> October 2024

**Blind or partially sighted?  
Is this leaflet hard to see or read?  
Contact Quadrant Pharmaceuticals  
Ltd, Tel: 01204 471 269**